

TURNERS ANONYMOUS

An Association of Wood Turners in Western Pennsylvania

NEWSLETTER

No 62

December 2002

President Craig Smith 412 996 5666	Vice-President Jim Stauffer 412 279 7352	Treasurer Dave Berringer 412655 8524	Secretary Gary Fournier 412 835 0589
--	--	--	--

NEXT MEETING:

Saturday, December 21st .

Location: Max Peterson's Workshop

Time: 10.00 am. Coffee & Donuts from 9.30

Bring along your Christmas Ornaments to be judged by popular vote of the members in the following classifications:-

Most festive
Most ornate
Old Fashioned
Starriest
Most Sparkly
Antique
Most colourful
Angelic
Frostiest
Animated
Featherweight
Branch Bender

On arrival please report to Kent Miller who will allocate a numbered space on the rack for your ornaments and hand you a form for you to cast your vote as to the best in each category. Please make sure that each ornament has a hook or eye for suspension.

We will have several lathes up and running so that you can demonstrate your techniques or learn new ones from our "Top" notch members. Either way Turners Anonymous will thus produce some more tops for donation to worthy causes

January meeting

— Will be held on Saturday January 18th at the usual time but NOT at the usual place.

It will be held at the Center for Contemporary Art in the Strip District with something for everybody, new to turning or experienced. We will be dividing you into groups that will rotate around the following 15 minute demonstrations:-

Use of Gouge	Jack Brown
Use of Chisel	Linda VanGehuchten
Use of Chatter Tool	Craig Smith
Use of Scraper	Max Peterson
Grinding and Honing	Dave Berringer
Hollow Vessel Turning	Gary Fournier

This will be a full program so that there will be no time for a Show and Tell Session this month.

----- 00000 -----

The **February** Meeting will be held on Saturday the Fifteenth. Your Committee is planning an exciting programme, but details are not yet confirmed, so you will have to wait with heart in mouth until the next newsletter.

Make a note in your Diary now that on Saturday, 15th March **Mark St Leger** will be demonstrating all day, with morning and afternoon sessions.

GLUE FOR YUE

In appreciation for the help given by members in the recent Family Boat Building Event, the Lowes Butler

Store has given us three one gallon jars of Titebond Carpenters glue. We propose giving away two of these as door prizes and keeping the third for filling any smaller containers that you might like to bring to the meeting on Saturday. We know that goldfish are sometimes carried home in transparent plastic bags but do not recommend that for glue, your pocket or car might suffer!

TOPS FOR CHILDREN

Jack Brown's shop was again a hive of activity on the evening of December 3rd with members turning tops for charities. Jack had not acquired any more lathes but several members brought along their mini lathes to put on tables and stands that Jack had provided. Another session is planned by those energetic Northerners; what can you'uns who live south of the river do to beat this effort?

Old friends of the General will be pleased to know that he is back in the center of the shop and in use once again although he does have to stare at the upstart Oneway.

There is still plenty of time for you to turn a few tops in any spare moment and donate them to a worthy cause. Don't forget that they must be too large to fit in a 35 mm film cassette container.

As a child I had a metal spinning top that hummed tunes. I challenge any member to make a wooden one that hums – I've tried and almost given up.

DREAM OR NIGHTMARE?

I knew that I had to get that ornament finished in time for the Saturday Contest but how to make it got me worried to the point where I couldn't sleep. It had to be small and how to hollow it out through a 1/8" diameter hole in the end seemed well nigh impossible. I surreptitiously borrowed a rib from my wife's umbrella, sharpened one end and gingerly entered it into the rotating hole, maybe I should have eased the edges first but what happened was a sudden twisting into a corkscrew shape. And now each time my wife goes out in the rain with a gentle breeze the umbrella turns inside out and she doesn't know why(Should I tell her?)

I then went out to the wood shed and chose an intelligent looking termite and after asking and obtaining permission I was able to fix a pair or guiding reins and persuade him to enter. Well it may have been her but with name like Pat how is one to tell? Anyway the termite started chewing away and the reins worked like a charm until I got impatient and speeded up the revs a little which made Pat start to feel giddy and unable to produce an acceptably smooth surface. Then trouble reared its ugly head and the reins got twisted so that I didn't know which was left and which was right.

By this time poor Pat couldn't stand up straight even on 8 legs so we called it a day (or was it a night) Deep in thought I came up with an idea from having watched a sheep dog trial and sent Pat the next day to a Sheep Dog training school so that he could respond to whistled commands. This worked well for the first few days (Yes! Days, not hours since termites can't work very fast away from the companionship of other termites) The only problem occurred when given the command to "Lie Down" which Pat interpreted as a command to "Dig In" and I am afraid that the last one caused the ornament to disintegrate, and I woke up.

WOODWORKING SHOW MONROEVILLE 3,4 & 5 January 2003

Come and support our effort by volunteering to turn on a lathe or help sign up new members and explain who we are and what we do, or just come along to see the exhibits and don't forget to bring your friends.

We want to display some of the best examples of member's turnings and invite you to bring some examples to Saturday's meeting or drop them off (very gently) at Max's shop before the 3rd. January for someone to collect and take to Monroeville. Don't forget to make sure that your name is securely marked on each object.

Those volunteering to turn at the show should bring their own lathe tools and wood blanks although some will be available in case you forget.

PRESQUE ISLE WOODTURNERS, ERIE.

This enthusiastic group of turners meet on the first Wednesday of each month and their January meeting will feature jigs or devices to aid turning. How about car pooling for the 2 hour trip and show them a few ideas from T.A. or learn a few new ones from them. Interested? Call you editor at 724 625 9348 who will co ordinate replies.

DUES

Yes! It is that time of the year again, time to order your coffee and donuts for the next 12 months. If you aren't sure if you have paid or not, and receive your Newsletters courtesy of the US Postal service; look at the label, at the top right hand side you will see the year for which you last paid.

A SIMPLE STOCKING STUFFER.

- 1 Take a block of waste wood to make a friction chuck about 1 1/2" diameter. Fasten it to a screw chuck and after cutting a flat face cover the latter with glued on coarse sandpaper.
- 2 Cut a small *donut* about 1/4" square from small tough wood or plywood that will not split easily and drill a 1/8" hole through the center.
- 3 Prepare some blanks about 2" square from wood that is 1/8" to 1/4" thick.
- 4 Now comes the only tricky part which will make you wish you were born with three hands.
- 5 A) Hold the 2" square against the sandpaper.
B) Hold the *Donut* against the Live Center in you Tailstock.
C) Advance the Tailstock to apply pressure and keep the square against the sandpaper.
- 6 With a parting tool, skew (point down) or edge of scraper turn your square into a disc.
- 7 Round the edges and sand them smooth.
- 8 Remove the disc and carefully print in large letters a T, a U, an I and another T
You will then have a gift for your spouse, friend or relation who has too many *Honeydors* and can never get round to doing them.

A WHISTLE BLANK YOU CAN TURN.



For Sale:

Kiln dried boards. See Steve Morovich before or after the meeting or call him at:-
412 341 1980

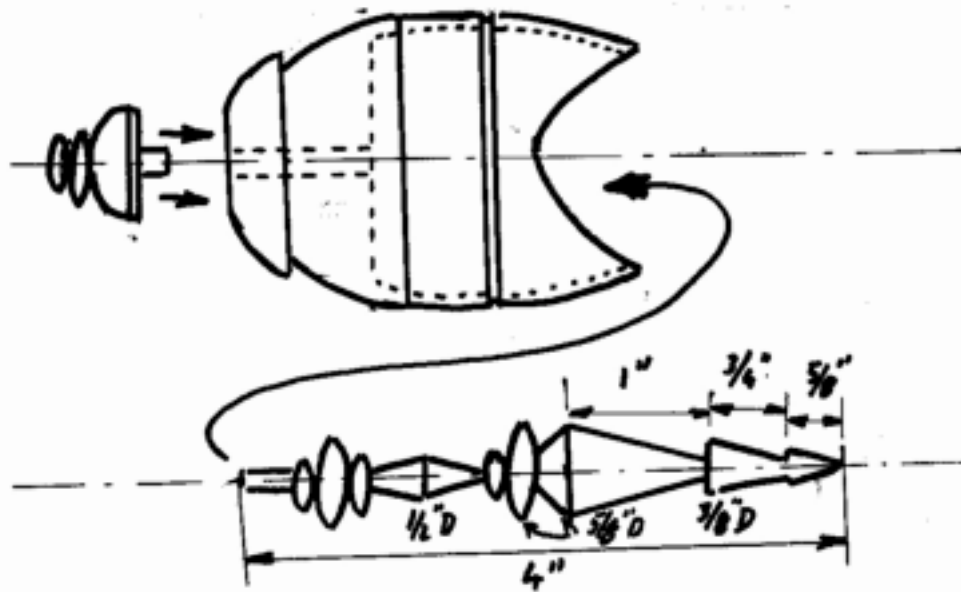
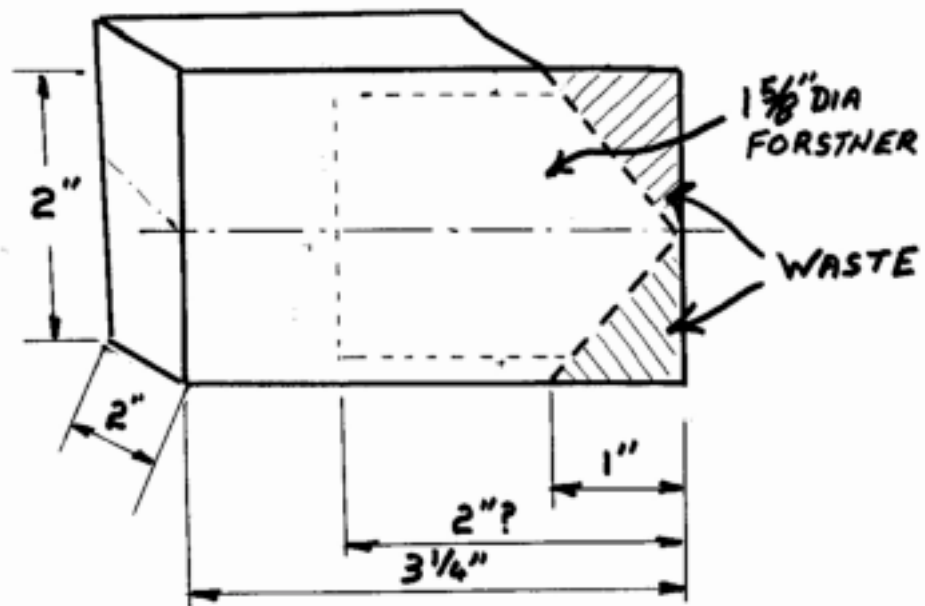
Air Dried Cherry, Oak, Walnut and Sassafras from 1/2" to 4" thick straight grain, crotches or curved slabs for unique coffee tables, signs etc.
John Bridges 724 625 9348.

Editor:
John Bridges
brimor@aol.com



Definitions for Turners

Copyright Kitty Fischer



Jack Brown's Christmas Tree Ornament